



### Special Features

- Solid front design features baffle wall Interposed between the sensing system & the window and a pressure relieving back for increased safety.
- Stainless steel case & high precision measuring system
- High resolution dial
- Anti parallax mirror band (eye friendly)
- Socket directly welded to case
- Standard followed in general EN 837-1
- Calibration certificate with traceability to National / International standards.

### Application

- Calibration / testing in laboratory
- Fits for various process Industries and all gaseous / liquid media that will not obstruct the pressure system.

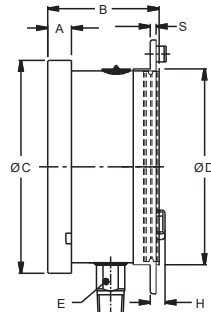
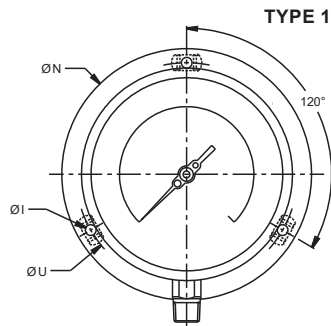
### Specifications

#### Standard Version : 150 mm

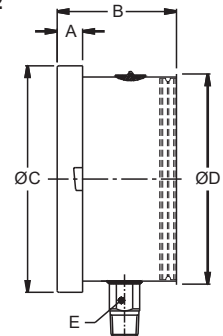
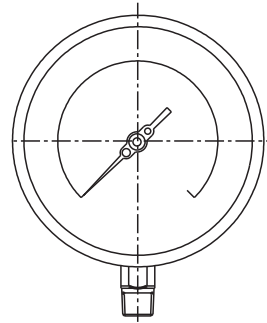
Accuracy	:	±0.25% of F. S. (At +20 °C)
Ambient temperature	:	Maximum 65°C
Process temperature	:	Maximum 65°C
Operating pressure range	:	75% of the Scale Value
Case & Bezel	:	AISI 304 SS (Solid Front) (Bayonet Type)
Bourdon	:	Beryllium Copper
Socket	:	AISI 316L SS
Movement	:	High Precision Jewel Bearing Type
Integral Dampening Screw	:	AISI 316 SS
Protection	:	IP 65
Dial	:	Aluminum, Green with Black Marking & Anti Parallax Mirror Band
Pointer	:	Balanced, Knife-Edge Micrometer Adjustable
Pointer Stopper	:	Spring Type
Gasket	:	Neoprene
Welding	:	Alloy Brazing
Window	:	Shatter proof / Safety Glass
Blow Off Disc	:	AISI 304 SS
Carrying Case	:	Wooden carrying case
Calibration Certificate	:	Calibration Certificate traceable to National / International standard.

#### Temperature effect :

The variation of indication caused by effects of temperature is to be calculated by below formula; which is to be added in the specified accuracy while measurement :- Formula :  $\pm 0.04 \times (t_2 - t_1) \% \text{ of F. S.}$  where  $t_1$  = reference temperature (+20°C) and  $t_2$  = ambient temperature in °C.

**Dimensions - standard version**


NS	A	B	ØC	ØD	E	ØN	ØU	H	ØI	S	Weight in gram (With Wooden Box)
150	15	66	161	149	22	196	178	15	6	5	2315.0

**TYPE 2**


NS	A	B	ØC	ØD	E	Weight in gram (With Wooden Box)
150	15	66	161	149	22	2180.0

**Notes :**

- Drawings are not to scale.
- All Dimensions are in mm.
- NS = Nominal Size

**Range Table**

Note : We offer National / International Scales like kPa, MPa, bar, psi, kg/cm<sup>2</sup> & Dual Scale like kPa with psi, kPa with bar, bar with psi or Equivalent scales as per the requirement can be provided on request. Following are the example tables for kg/cm<sup>2</sup> & psi scales

**Pressure Range**
**Single scale (kg/cm<sup>2</sup> or bar)**

0/0.6	0/4	0/25	0/160	0/1000
0/1	0/6	0/40	0/250	
0/1.6	0/10	0/60	0/400	
0/2.5	0/16	0/100	0/600	

**Dual scale (psi with kg/cm<sup>2</sup>)**

Range (psi)	Range (kg/cm <sup>2</sup> )	Range (psi)	Range (kg/cm <sup>2</sup> )	Range (psi)	Range (kg/cm <sup>2</sup> )
0/15	0/1	0/400	0/28	0/4000	0/280
0/30	0/2	0/500	0/35	0/5000	0/350
0/60	0/4	0/600	0/40	0/6000	0/420
0/100	0/7	0/1000	0/70	0/10000	0/700
0/150	0/10	0/1500	0/100	0/15000	0/1000
0/220	0/16	0/2200	0/160		
0/300	0/20	0/3000	0/200		

**Vacuum Range**
**Single scale**

Range (kg/cm <sup>2</sup> or bar)	Range(mmHg)
- 1/0	- 760/0

**Accessories (Refer datasheet for complete specifications)**
**ED** Over load protector (gauge saver)\*\* \* Needle valve

\* Refer catalogue for Valves &amp; Manifolds.

\*\* For Pressure Range.

**Note : Other Scale are available on customer request. Please refer to factory.**

Compound ranges are not preferred.

How To Order		Example
<b>Basic Model</b>		
<b>Code</b>		AJ
<b>Nominal Size</b>	150 mm	
<b>Code</b>	<b>H</b>	X
<b>Type of Mounting</b>		
<b>1</b>	Wall / Surface/ Projection mounting with bottom entry	X
<b>2</b>	Direct bottom entry	
<b>Gauge Connection</b>		
<b>4BM</b>	½" BSP(M) Standard	XXX
<b>2NM</b>	1/4" NPT(M) Standard	
<b>4NM</b>	½" NPT(M) Standard	
Note : Female Gauge Connections are available on request.		
<b>Range</b>		
Refer range table		0/10 kg/cm <sup>2</sup>
<b>Optional Extras</b>		
<b>RH</b>	Custom designed dial	XX
<b>SW</b>	Dial tag marking	
<b>SX</b>	SS tag plate	
<b>TB</b>	Helium leak test	

**Ordering Example: AJ . X . X . XXX . 0/10 kg/cm<sup>2</sup> . XX**

For other optional items, please contact factory for delivery and minimum quantity of order.